

Полюсно-монтажная коробка SPB1

Технические характеристики



Архангельск (8182)63-90-72
Астана +7(7172)727-132
Астрахань (8512)99-46-04
Барнаул (3852)73-04-60
Белгород (4722)40-23-64
Брянск (4832)59-03-52
Владивосток (423)249-28-31
Волгоград (844)278-03-48
Вологда (8172)26-41-59
Воронеж (473)204-51-73
Екатеринбург (343)384-55-89
Иваново (4932)77-34-06
Ижевск (3412)26-03-58
Казань (843)206-01-48

Калининград (4012)72-03-81
Калуга (4842)92-23-67
Кемерово (3842)65-04-62
Киров (8332)68-02-04
Краснодар (861)203-40-90
Красноярск (391)204-63-61
Курск (4712)77-13-04
Липецк (4742)52-20-81
Магнитогорск (3519)55-03-13
Москва (495)268-04-70
Мурманск (8152)59-64-93
Набережные Челны (8552)20-53-41
Нижний Новгород (831)429-08-12
Новокузнецк (3843)20-46-81

Новосибирск (383)227-86-73
Омск (3812)21-46-40
Орел (4862)44-53-42
Оренбург (3532)37-68-04
Пенза (8412)22-31-16
Пермь (342)205-81-47
Ростов-на-Дону (863)308-18-15
Рязань (4912)46-61-64
Самара (846)206-03-16
Санкт-Петербург (812)309-46-40
Саратов (845)249-38-78
Севастополь (8692)22-31-93
Симферополь (3652)67-13-56
Смоленск (4812)29-41-54

Сочи (862)225-72-31
Ставрополь (8652)20-65-13
Сургут (3462)77-98-35
Тверь (4822)63-31-35
Томск (3822)98-41-53
Тула (4872)74-02-29
Тюмень (3452)66-21-18
Ульяновск (8422)24-23-59
Уфа (347)22948 -12
Хабаровск (4212)92-98-04
Челябинск (351)202-03-61
Череповец (8202)49-02-64
Ярославль (4852)69-52-93

Pole Mounting Box (SPB1)



Features

- Oval design allows more space for wiring
- Accepts up to three single poles, below 100 A, or one single pole above 100 A, or one triple pole circuit breaker (not supplied)
- Up to three operating slides can be fitted for independent circuit breaker operation
- Orange slide visible from street level
- Slide can be operated with a hooked rod or linkstick from the ground
- Large terminals accept up to 50 mm² cable
- Fully weather proof
- Convenient mounting methods for pole, cross arm or under insulator
- Manufactured from tough polypropylene material impervious to UV, air gun pellets, etc.
- Unique nylon cord fitted to secure lid to base during termination

Application

Pole mounting enclosures for circuit breakers have been designed to protect of the overhead line and the service cable to the consumer, against short circuit and if an installation is faulty, the whole installation can be isolated from the distribution system thereby reducing the risk of black-outs in a whole area. The QF circuit breakers used in these pole mounted enclosures are available with such operating characteristics to guarantee discrimination on low and medium overloads to downstream circuit breakers.

Optional Accessories

- Horizontal mounting bracket - ferrous
- Vertical mounting bracket - ferrous
- Horizontal / vertical mounting bracket - ferrous
- Horizontal / vertical mounting bracket - non ferrous
- Strapping bracket - non - ferrous
- Operating slide with hole plug

Technical Data

The SPB1 will accept three single pole, or one double pole or one triple pole QF type circuit breaker. It is recommended that curve 1 circuit breakers are used to provide discrimination between this circuit breaker and those at the consumer premises.

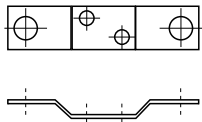
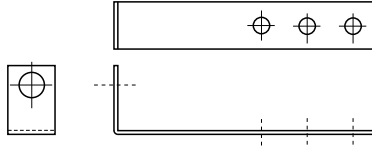
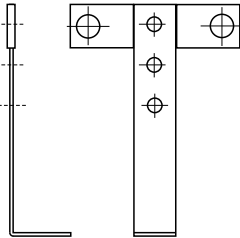

Product	Description	Std. Pack	Order No.
SPB1	Plastic pole mounting box complete with one operating slide (excludes mounting bracket MCBs, will accept 1, 2, 3-pole MCBs type QF, SF, and QH)	10	SPB1001
SPB1 Kit-B	Horizontal mounting bracket - ferrous	10	3674000
SPB1 Kit-D	Vertical mounting bracket - ferrous	10	3674001
SPB1 Kit-E	Vertical mounting bracket - ferrous	10	3670022
SPB1 Kit-F	Horizontal / vertical mounting bracket - ferrous	10	3674002
SPB1 Kit-G	Horizontal / vertical mounting bracket - non ferrous	10	3670024
SPB1 Kit-HP	Strapping bracket - non-ferrous	10	3670025
SPB1 Slide	Operating slide with hole plug	10	2166100

Pole Mounting Box (SPB1)

Mounting and Installation

The unit can be mounted to the cross arm, pole or under the porcelain insulator. The SPB1 is moulded from tough polypropylene and is unaffected by UV light or air gun pellets. The orange slide enables external switching of the enclosed breaker, and can be activated by a hooked rod or linkstick (through a 17 mm hole on the side) hand held from the ground, which eliminates having to climb up the pole to switch the breaker on and off. A white indicator and the length of the slide protruding from the box indicate whether the breaker is on or off.

Mounting Kits

<p>Kit "B" [Ferrous] Kit "G" [Non-Ferrous]</p>  <p>+ 2 x M3 Screws</p> <p>Horizontal bracket for mounting onto cross arm other than 38mm wide.</p>	<p>Kit "D" [Ferrous] Kit "E" [Non-Ferrous]</p>  <p>+ 2 x BZ 4,2 Self tapping screws</p> <p>Vertical bracket for mounting under insulator.</p>
<p>Kit "F" [Ferrous] Kit "G" [Non-Ferrous]</p>  <p>+ 2 x BZ 4,2 Self tapping screws</p> <p>Combination version of vertical and horizontal brackets.</p>	<p>Kit "H" [Non-Ferrous]</p>  <p>+ 2 x M3 Screws</p> <p>Bracket to enable strapping onto the pole.</p>

Mounting Kits



Plastic Pole Mounting Box



Operating Slide



Kit B - Ferrous



Kit G - Non-ferrous



Kit D - Ferrous



Kit E - Non-ferrous



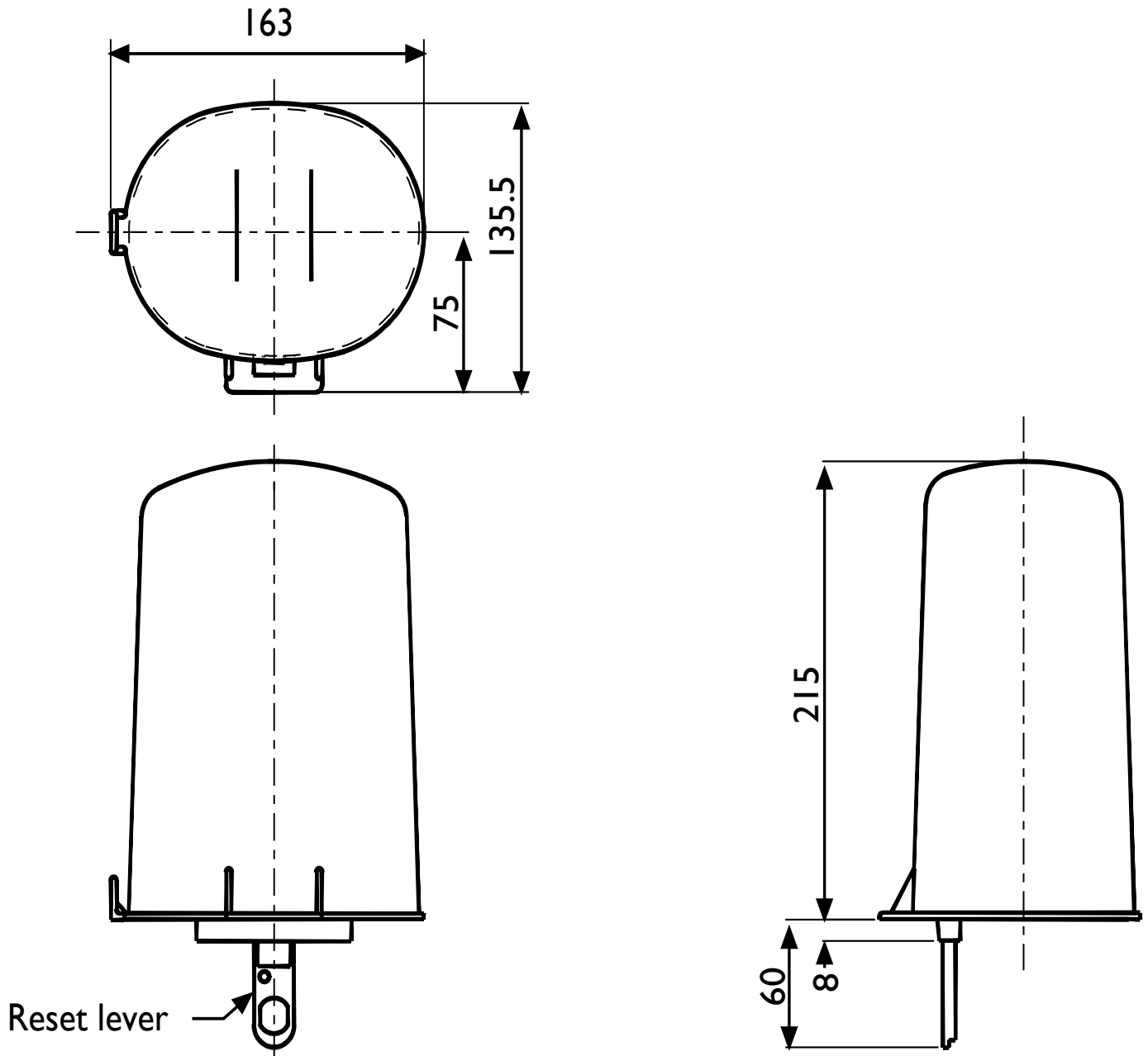
Kit H - Ferrous



Kit G - Non-ferrous

Pole Mounting Box (SPBI)

Dimensional Drawing: Pole Mounting Box



Архангельск (8182)63-90-72
 Астана +7(7172)727-132
 Астрахань (8512)99-46-04
 Барнаул (3852)73-04-60
 Белгород (4722)40-23-64
 Брянск (4832)59-03-52
 Владивосток (423)249-28-31
 Волгоград (844)278-03-48
 Вологда (8172)26-41-59
 Воронеж (473)204-51-73
 Екатеринбург (343)384-55-89
 Иваново (4932)77-34-06
 Ижевск (3412)26-03-58
 Казань (843)206-01-48

Калининград (4012)72-03-81
 Калуга (4842)92-23-67
 Кемерово (3842)65-04-62
 Киров (8332)68-02-04
 Краснодар (861)203-40-90
 Красноярск (391)204-63-61
 Курск (4712)77-13-04
 Липецк (4742)52-20-81
 Магнитогорск (3519)55-03-13
 Москва (495)268-04-70
 Мурманск (8152)59-64-93
 Набережные Челны (8552)20-53-41
 Нижний Новгород (831)429-08-12
 Новокузнецк (3843)20-46-81

Новосибирск (383)227-86-73
 Омск (3812)21-46-40
 Орел (4862)44-53-42
 Оренбург (3532)37-68-04
 Пенза (8412)22-31-16
 Пермь (342)205-81-47
 Ростов-на-Дону (863)308-18-15
 Рязань (4912)46-61-64
 Самара (846)206-03-16
 Санкт-Петербург (812)309-46-40
 Саратов (845)249-38-78
 Севастополь (8692)22-31-93
 Симферополь (3652)67-13-56
 Смоленск (4812)29-41-54

Сочи (862)225-72-31
 Ставрополь (8652)20-65-13
 Сургут (3462)77-98-35
 Тверь (4822)63-31-35
 Томск (3822)98-41-53
 Тула (4872)74-02-29
 Тюмень (3452)66-21-18
 Ульяновск (8422)24-23-59
 Уфа (347)22948 -12
 Хабаровск (4212)92-98-04
 Челябинск (351)202-03-61
 Череповец (8202)49-02-64
 Ярославль (4852)69-52-93