

Электронный таймер QAT-TRDM

Технические характеристики



Архангельск (8182)63-90-72
Астана +7(7172)727-132
Астрахань (8512)99-46-04
Барнаул (3852)73-04-60
Белгород (4722)40-23-64
Брянск (4832)59-03-52
Владивосток (423)249-28-31
Волгоград (844)278-03-48
Вологда (8172)26-41-59
Воронеж (473)204-51-73
Екатеринбург (343)384-55-89
Иваново (4932)77-34-06
Ижевск (3412)26-03-58
Казань (843)206-01-48

Калининград (4012)72-03-81
Калуга (4842)92-23-67
Кемерово (3842)65-04-62
Киров (8332)68-02-04
Краснодар (861)203-40-90
Красноярск (391)204-63-61
Курск (4712)77-13-04
Липецк (4742)52-20-81
Магнитогорск (3519)55-03-13
Москва (495)268-04-70
Мурманск (8152)59-64-93
Набережные Челны (8552)20-53-41
Нижний Новгород (831)429-08-12
Новокузнецк (3843)20-46-81

Новосибирск (383)227-86-73
Омск (3812)21-46-40
Орел (4862)44-53-42
Оренбург (3532)37-68-04
Пенза (8412)22-31-16
Пермь (342)205-81-47
Ростов-на-Дону (863)308-18-15
Рязань (4912)46-61-64
Самара (846)206-03-16
Санкт-Петербург (812)309-46-40
Саратов (845)249-38-78
Севастополь (8692)22-31-93
Симферополь (3652)67-13-56
Смоленск (4812)29-41-54

Сочи (862)225-72-31
Ставрополь (8652)20-65-13
Сургут (3462)77-98-35
Тверь (4822)63-31-35
Томск (3822)98-41-53
Тула (4872)74-02-29
Тюмень (3452)66-21-18
Ульяновск (8422)24-23-59
Уфа (347)22948 -12
Хабаровск (4212)92-98-04
Челябинск (351)202-03-61
Череповец (8202)49-02-64
Ярославль (4852)69-52-93

Electronic Time Switch

Timers

The QAT-TRDM is a programmable timer that can be used to control loads that are required to switch ON and OFF at time intervals programmed by the user. The programmable time switch can be used to automatically control pool pumps, lights, geysers, etc.



QAT-TRDM
cover open



QAT-TRDM
cover closed

Features

- Compact size
- Simple setting of time and programs
- LCD touch-screen
- Multiple ON / OFF programs
- Improved 15 minute segments
- Service life: 20000 operations at full load
- Backup power feature requires only 60 minutes to charge
- Backup power displays time for 12 hours and keeps time for at least 24 hours. The programmed schedule is always retained.
- Protective lift-up cover – sealable
- Graphical display on home screen of 24 h program schedule
- Bypass (manual ON / OFF) capability
- Switched Live contact reduces wiring
- Dual mount: CBI Mini Rail or DIN rail (remove escutcheon adaptor)

Applications

- Residential
- Commercial
- Light industrial
- Security lights
- Office lights
- Illuminated signs
- Geyser
- Pool pump

Approvals

SANS 60730-2-7

Electronic Time Switch

Technical Data

Parameter	Specification
Supply Voltage	230 V, 50 Hz ~, 1 Ph
Rated Current	21 A resistive 10 A inductive
Contact Life	20000 cycles
Degree of Ingress Protection (LCD Face)	IP40
Impulse Voltage	4 kV
Ball Pressure Test	125 °C
Programmable Period	96 x 15 min. segments
Clock Accuracy	± 3 min. per month
Time Retention (Power Outage)	24 h minimum (5 days typical)
Power Reserve Charge Time	60 minutes
Terminal Size	16 mm ²
Contact Type	Type 1 C ST

Product Type	QAT-TRDM
Operating Temperature Range	-20 °C to +55 °C
Mounting Options	DIN rail & CBI Mini Rail, 45 and 57 mm escutcheon cut-out (adaptor supplied, see outline dimensions)
Weight	132 g (unpacked)
Pollution Degree	2 - Normally only non-conductive pollution occurs

Ordering Information

Electronic Time Switch			
Product	Description	Std. Pack	Order No.
QAT-TRDM	Standard touch screen electronic time switch with 24 hour reserve dual mount 39 mm	10	QAT-TRDM

Electronic Time Switch

Installation

1. Isolate supply before installing the time switch
2. Install the time switch on either mini rail or DIN rail (remove the escutcheon clip for DIN)
3. Connect the time switch according to figure 18 or 19.
Use a suitable contactor (figure 20) if necessary to switch higher current.
Observe markings for line and neutral poles.
4. Apply power and the time and desired program schedule (see programming guide)

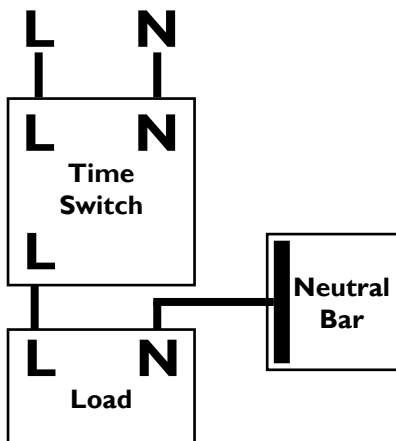


Figure 18: DB wiring

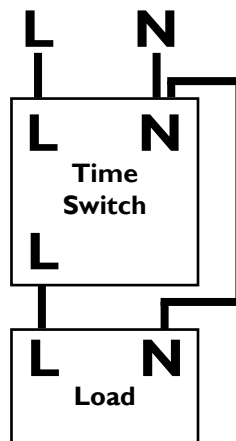


Figure 19: Stand alone wiring

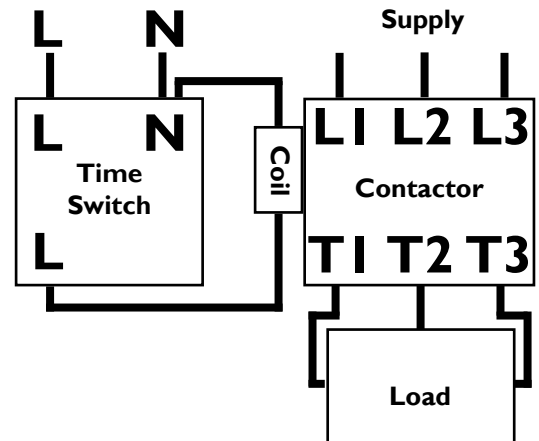


Figure 20: Wiring a contactor for loads greater than 21 A resistive or 10 A inductive

Time Switch Display and Settings

The time switch is fitted with a graphical LCD screen and has four capacitive touch sensitive buttons. Holding the FUNCTION button steps from the home screen to clock set, to programme and back to home. The remaining buttons are used to alter the setting in each function.

Home Screen

Displays the current time, graphical representation of the program schedule and the current on / off status of the switch. User can switch to bypass from here.

Clock Set

Use the HOUR and MINUTE buttons to adjust the clock.

Programme


Use the ON/OFF buttons to define the programme schedule in 15-minute segments. The programme is displayed graphically using segments around the 24-hour digital clock.

Bypass

From the home screen, hold BYPASS, then press ON or OFF to control the switch manually. Exit bypass by holding BYPASS to resumed scheduled operation.

Detailed programming instructions are given in the installation leaflet supplied with each time switch and is also available online.

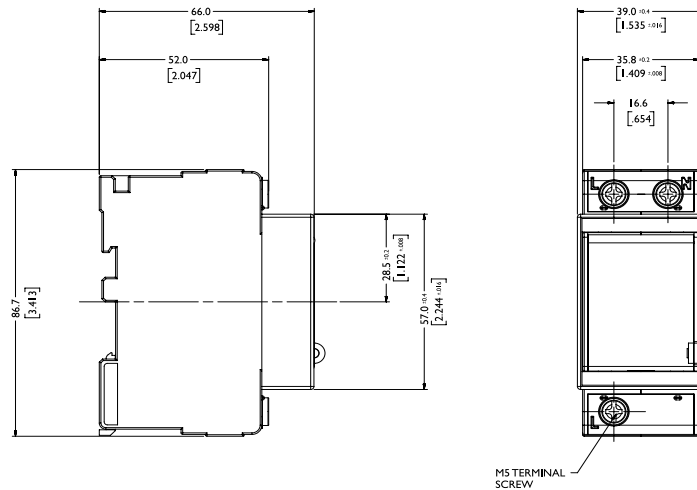
Power Failure

The QAT-TRDM has a 24-hour reserve, meaning that the unit will keep its time and programme settings for a minimum of 24-hours in the if the supply voltage to the unit is lost. During prolonged power outages, the display is disabled to conserve energy. Until such time, the unit displays  to indicate a loss of supply.

Electronic Time Switch

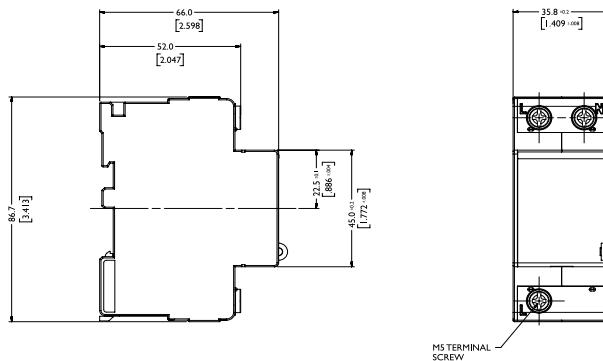
Outline Dimensions: Dual Mount

DUAL MOUNTING QAT UNIT



Outline Dimensions: DIN Mount

DIN MOUNTING QAT UNIT



TOLERANCE ± 0.4 UNLESS OTHERWISE SPECIFIED
(DIMENSION IN BRACKETS ARE IN INCH)

Архангельск (8182)63-90-72
Астана +7(7172)727-132
Астрахань (8512)99-46-04
Барнаул (3852)73-04-60
Белгород (4722)40-23-64
Брянск (4832)59-03-52
Владивосток (423)249-28-31
Волгоград (844)278-03-48
Вологда (8172)26-41-59
Воронеж (473)204-51-73
Екатеринбург (343)384-55-89
Иваново (4932)77-34-06
Ижевск (3412)26-03-58
Казань (843)206-01-48

Калининград (4012)72-03-81
Калуга (4842)92-23-67
Кемерово (3842)65-04-62
Киров (8332)68-02-04
Краснодар (861)203-40-90
Красноярск (391)204-63-61
Курск (4712)77-13-04
Липецк (4742)52-20-81
Магнитогорск (3519)55-03-13
Москва (495)268-04-70
Мурманск (8152)59-64-93
Набережные Челны (8552)20-53-41
Нижний Новгород (831)429-08-12
Новокузнецк (3843)20-46-81

Новосибирск (383)227-86-73
Омск (3812)21-46-40
Орел (4862)44-53-42
Оренбург (3532)37-68-04
Пенза (8412)22-31-16
Пермь (342)205-81-47
Ростов-на-Дону (863)308-18-15
Рязань (4912)46-61-64
Самара (846)206-03-16
Санкт-Петербург (812)309-46-40
Саратов (845)249-38-78
Севастополь (8692)22-31-93
Симферополь (3652)67-13-56
Смоленск (4812)29-41-54

Сочи (862)225-72-31
Ставрополь (8652)20-65-13
Сургут (3462)77-98-35
Тверь (4822)63-31-35
Томск (3822)98-41-53
Тула (4872)74-02-29
Тюмень (3452)66-21-18
Ульяновск (8422)24-23-59
Уфа (347)22948 -12
Хабаровск (4212)92-98-04
Челябинск (351)202-03-61
Череповец (8202)49-02-64
Ярославль (4852)69-52-93