

## Щиты DB-12/20 Way Технические характеристики



Архангельск (8182)63-90-72  
Астана +7(7172)727-132  
Астрахань (8512)99-46-04  
Барнаул (3852)73-04-60  
Белгород (4722)40-23-64  
Брянск (4832)59-03-52  
Владивосток (423)249-28-31  
Волгоград (844)278-03-48  
Вологда (8172)26-41-59  
Воронеж (473)204-51-73  
Екатеринбург (343)384-55-89  
Иваново (4932)77-34-06  
Ижевск (3412)26-03-58  
Казань (843)206-01-48

Калининград (4012)72-03-81  
Калуга (4842)92-23-67  
Кемерово (3842)65-04-62  
Киров (8332)68-02-04  
Краснодар (861)203-40-90  
Красноярск (391)204-63-61  
Курск (4712)77-13-04  
Липецк (4742)52-20-81  
Магнитогорск (3519)55-03-13  
Москва (495)268-04-70  
Мурманск (8152)59-64-93  
Набережные Челны (8552)20-53-41  
Нижний Новгород (831)429-08-12  
Новокузнецк (3843)20-46-81

Новосибирск (383)227-86-73  
Омск (3812)21-46-40  
Орел (4862)44-53-42  
Оренбург (3532)37-68-04  
Пенза (8412)22-31-16  
Пермь (342)205-81-47  
Ростов-на-Дону (863)308-18-15  
Рязань (4912)46-61-64  
Самара (846)206-03-16  
Санкт-Петербург (812)309-46-40  
Саратов (845)249-38-78  
Севастополь (8692)22-31-93  
Симферополь (3652)67-13-56  
Смоленск (4812)29-41-54

Сочи (862)225-72-31  
Ставрополь (8652)20-65-13  
Сургут (3462)77-98-35  
Тверь (4822)63-31-35  
Томск (3822)98-41-53  
Тула (4872)74-02-29  
Тюмень (3452)66-21-18  
Ульяновск (8422)24-23-59  
Уфа (347)22948 -12  
Хабаровск (4212)92-98-04  
Челябинск (351)202-03-61  
Череповец (8202)49-02-64  
Ярославль (4852)69-52-93

## Distribution Boards - 12 & 20 Way



**20-Way Plastic**

(not populated / prewired - image for illustrative purposes only)



**20-Way Steel**

(not populated / prewired - image for illustrative purposes only)



**12-Way Steel**

(not populated / prewired - image for illustrative purposes only)

### Features

- Aesthetically pleasing board for housing circuit breakers, switch disconnectors and earth leakage units
- Mounting tray, metal or plastic, vertically and horizontally adjustable
- Optional cover flaps available
- Earth and neutral bars provided
- Escutcheon / safety blanks available
- Conduit knockouts provided
- White coloured finish
- Flush mount
  - Choice of 12-way and 20-way, to accommodate 13 Mm width products
  - 12-Way available in steel or plastic
  - 20-Way available in steel or plastic
- Surface mount:
  - 13-Way (CBI Mini Rail)
  - 13-Way available in plastic only
- Mounting tray with CBI Mini Rail
- Manufactured from durable engineering plastic

### Applications

- Residential
- Commercial

### Optional Accessories

- Plastic hinged cover
- Front cover
- Circuit breakers
- Switch disconnectors
- Earth leakage units
- QAT-TRDM timers
- Energy Control Units (ECUs)

### Technical Data

Distribution Boards	Description
<b>Product Type</b>	20 Way – 20 x 13 mm modules 12 Way – 12 x 13 mm modules 13-Way - 13 x 13 mm modules
<b>Conduit Knockouts – 12-Way</b>	3 x 20 mm top and bottom 2 x 20 mm on both sides
<b>Conduit Knockouts – 13-Way</b>	4 x 20 mm and 1 x 25 mm top 3 x 20 mm and 1 x 25 mm bottom 3 x 20 mm on both sides
<b>Conduit Knockouts – 20-Way</b>	5 x 20 mm and 1 x 25 mm top and bottom 2 x 20 mm on both sides

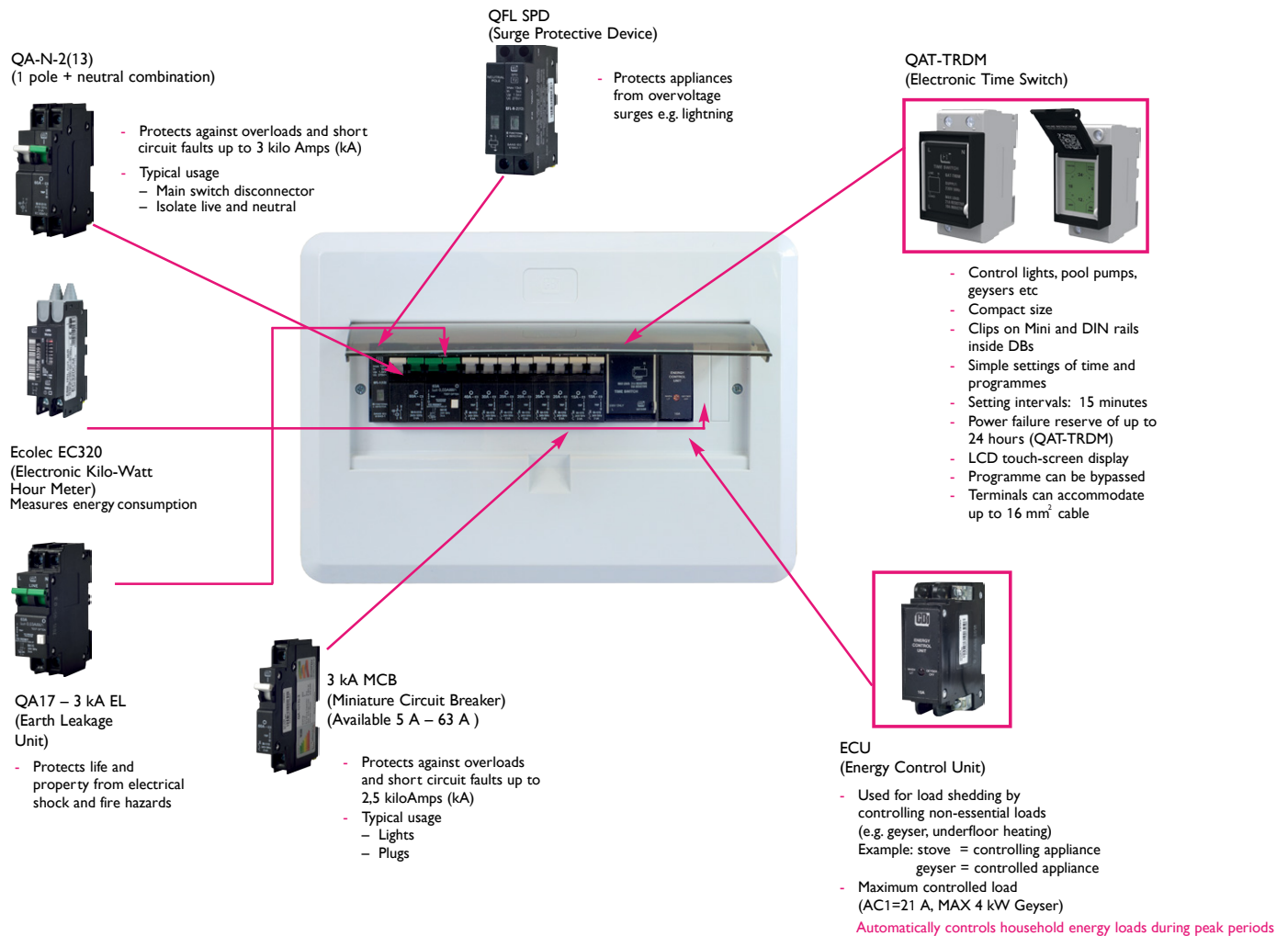
## Distribution Boards - 12 & 20 Way

### Ordering Information

Flush Mounting Distribution Boards		
Description	Std. Pack	Order No.
12 - Way Steel Distribution Board, complete with 1 Plastic Cover and 1 steel Tray (Mini Rail)	1	DBBOX12SP
12 - Way Steel Distribution Board, complete with 1 Steel Cover and 1 Steel Tray (Mini Rail)	1	3190796
20 - Way Steel Distribution , complete with 1 plastic cover and 1 Steel tray (Mini Rail)	1	DBBOX20SP
20 - Way Front Cover (including hinged dust cover)	1	3670107
20 - Way Steel Distribution Board, complete with Steel cover and 1 Steel tray (Mini Rail)	1	3190795

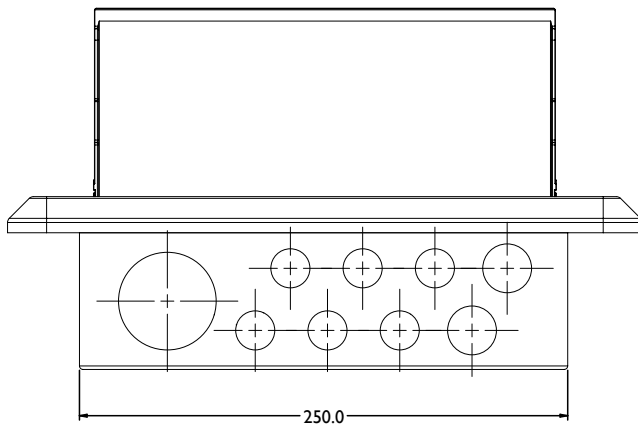
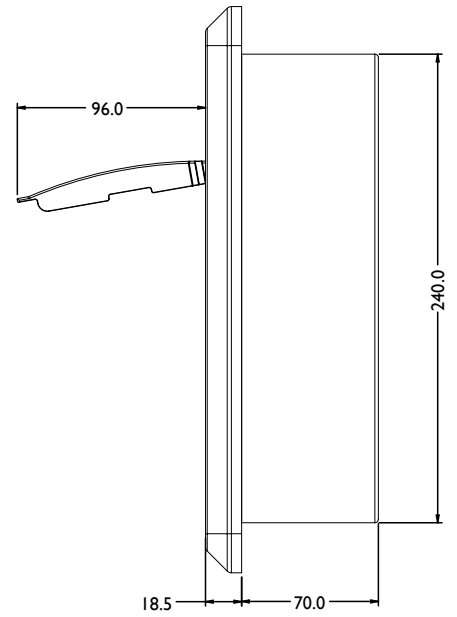
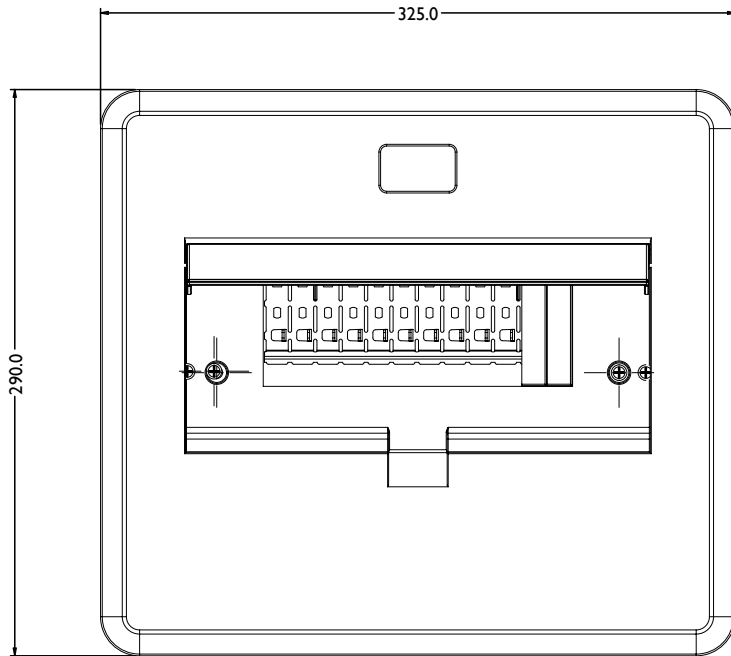
Surface Mount Distribution Boards		
Description	Std. Pack	Order No.
13 - Way Surface Mount Plastic Distribution Board (CBI Mini Rail)	1	NDB-CON001

### Circuit Breaker Selection Chart



## Distribution Boards - 12 & 20 Way

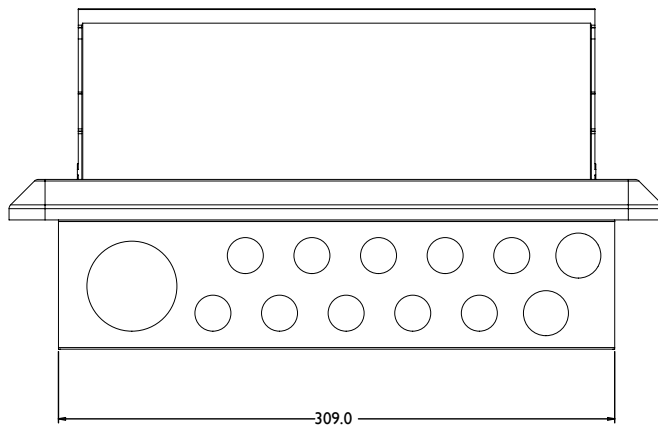
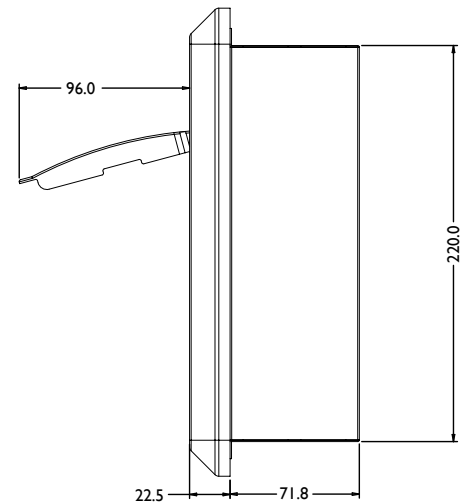
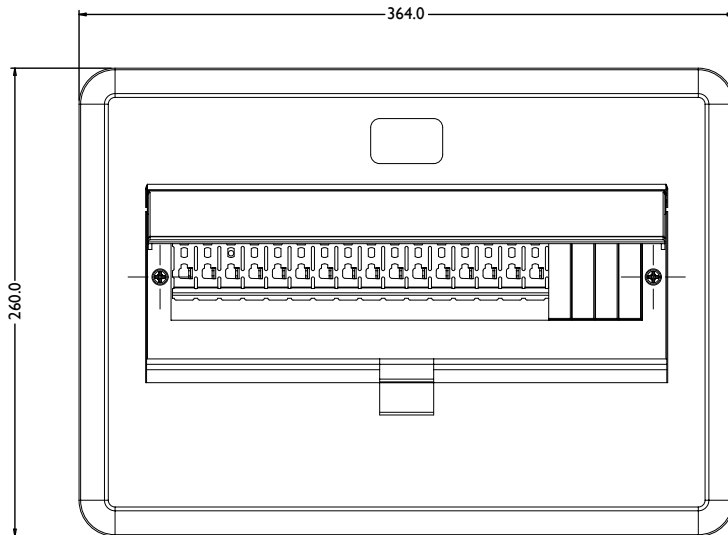
### Dimensional Drawings: DBBOX12SP



All dimensions in mm [ inch ]  
Tolerance  $\pm 0.4$  unless otherwise specified

## Distribution Boards - 12 & 20 Way

### Dimensional Drawing: DBBOX20SP



All dimensions in mm [ inch ]  
 Tolerance  $\pm 0.4$  unless otherwise specified

Архангельск (8182)63-90-72  
 Астана +7(7172)727-132  
 Астрахань (8512)99-46-04  
 Барнаул (3852)73-04-60  
 Белгород (4722)40-23-64  
 Брянск (4832)59-03-52  
 Владивосток (423)249-28-31  
 Волгоград (844)278-03-48  
 Вологда (8172)26-41-59  
 Воронеж (473)204-51-73  
 Екатеринбург (343)384-55-89  
 Иваново (4932)77-34-06  
 Ижевск (3412)26-03-58  
 Казань (843)206-01-48

Калининград (4012)72-03-81  
 Калуга (4842)92-23-67  
 Кемерово (3842)65-04-62  
 Киров (8332)68-02-04  
 Краснодар (861)203-40-90  
 Красноярск (391)204-63-61  
 Курск (4712)77-13-04  
 Липецк (4742)52-20-81  
 Магнитогорск (3519)55-03-13  
 Москва (495)268-04-70  
 Мурманск (8152)59-64-93  
 Набережные Челны (8552)20-53-41  
 Нижний Новгород (831)429-08-12  
 Новокузнецк (3843)20-46-81

Новосибирск (383)227-86-73  
 Омск (3812)21-46-40  
 Орел (4862)44-53-42  
 Оренбург (3532)37-68-04  
 Пенза (8412)22-31-16  
 Пермь (342)205-81-47  
 Ростов-на-Дону (863)308-18-15  
 Рязань (4912)46-61-64  
 Самара (846)206-03-16  
 Санкт-Петербург (812)309-46-40  
 Саратов (845)249-38-78  
 Севастополь (8692)22-31-93  
 Симферополь (3652)67-13-56  
 Смоленск (4812)29-41-54

Сочи (862)225-72-31  
 Ставрополь (8652)20-65-13  
 Сургут (3462)77-98-35  
 Тверь (4822)63-31-35  
 Томск (3822)98-41-53  
 Тула (4872)74-02-29  
 Тюмень (3452)66-21-18  
 Ульяновск (8422)24-23-59  
 Уфа (347)22948 -12  
 Хабаровск (4212)92-98-04  
 Челябинск (351)202-03-61  
 Череповец (8202)49-02-64  
 Ярославль (4852)69-52-93